

IEWC



MERCURY WIRE PRODUCTS, INC.  
SPENCER, MASSACHUSETTS  
Manufacturers of Wire & Cable

# CABLE SPECIFICATION

MW#: 17775 REV A  
ENGINEERED BY: MC  
DATE: 6/5/2013  
SHEET 1 OF 2

## 4/C COMPOSITE CABLE

### Element #1: One #26 AWG Coax

**Conductor:** #26 AWG 10/36 tinned copper

**Insulation:** nominal .017" thickness, natural low density polyethylene

**Inner Jacket:** nominal .010" thickness, black conductive PVC

**Drain Wire:** 9 ends of #36 AWG tinned copper

**Outer Jacket:** nominal .016" thickness, black low density polyethylene to a finished OD of .106" +/- .003"

### Element #2: Three #26 AWG single conductors

**Conductors:** #26 AWG 10/36 tinned copper

**Insulation:** nominal .008" thickness, low density polyethylene

- Color Code:**
1. White
  2. White
  3. Orange

**Cabling Construction:** (3) #26 AWG single conductors are laid parallel with each other, and in line with the #26 AWG coaxial cable, and wrapped with a clear polyester tape

**Fillers:** fillers may be used as required for roundness

**Braid Shield:** minimum 90% coverage, #36 AWG tinned copper

**Jacket:** nominal .025" thickness, gray PVC

**Approximate OD:** .220"

THE PHYSICAL AND ELECTRICAL CHARACTERISTICS CONTAINED IN THIS CABLE SPECIFICATION ARE BELIEVED TO BE RELIABLE AND ARE DERIVED FROM VENDOR SUPPLIED DATA AND INDUSTRY STANDARDS. AS EACH APPLICATION IS UNIQUE, MERCURY WIRE CAN MAKE NO WARRANTIES AS TO THE SUITABILITY OF ANY PRODUCT FOR A PARTICULAR USE.

ACCEPTED: <u>IEWC</u>	
COMPANY NAME	
<u>Patric Starich</u>	<u>6/6/13</u>
NAME (PRINTED)	DATE
<u>[Signature]</u>	
NAME (SIGNATURE)	

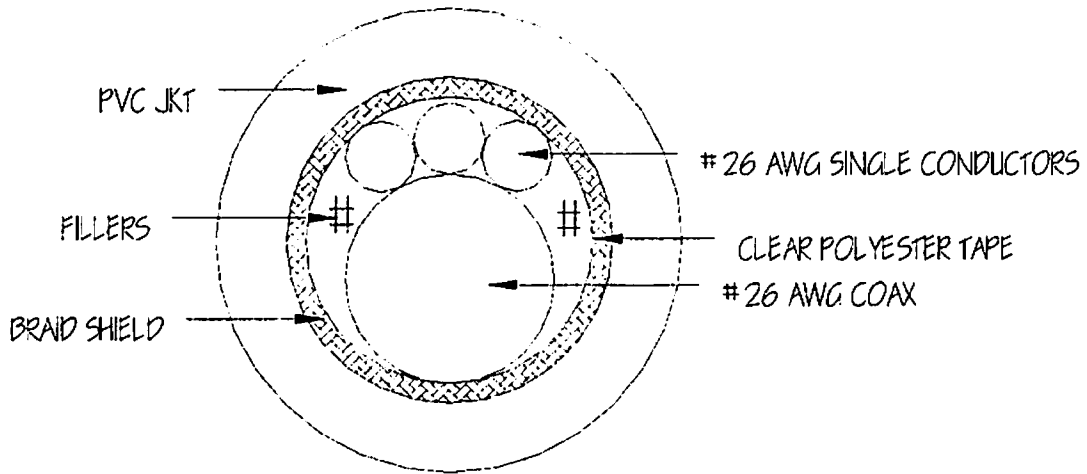


MERCURY WIRE PRODUCTS, INC.  
 SPENCER, MASSACHUSETTS  
 Manufacturers of Wire & Cable

# CABLE SPECIFICATION

MWH: 17775 REV A  
 ENGINEERED BY: MC  
 DATE: 6/5/2013  
 SHEET 2 OF 2

## Cross Section



THE PHYSICAL AND ELECTRICAL CHARACTERISTICS CONTAINED IN THIS CABLE SPECIFICATION ARE BELIEVED TO BE RELIABLE AND ARE DERIVED FROM VENDOR SUPPLIED DATA AND INDUSTRY STANDARDS. AS EACH APPLICATION IS UNIQUE, MERCURY WIRE CAN MAKE NO WARRANTIES AS TO THE SUITABILITY OF ANY PRODUCT FOR A PARTICULAR USE.

ACCEPTED: IEWC  
 COMPANY NAME  
Rth. Storich  
 NAME (PRINTED) 6/6/13  
 DATE  
Rth. Storich  
 NAME (SIGNATURE)